

USER MANUAL



Thank you for choosing Better Bathrooms.
Please read this manual before installing your product
and keep for future reference.

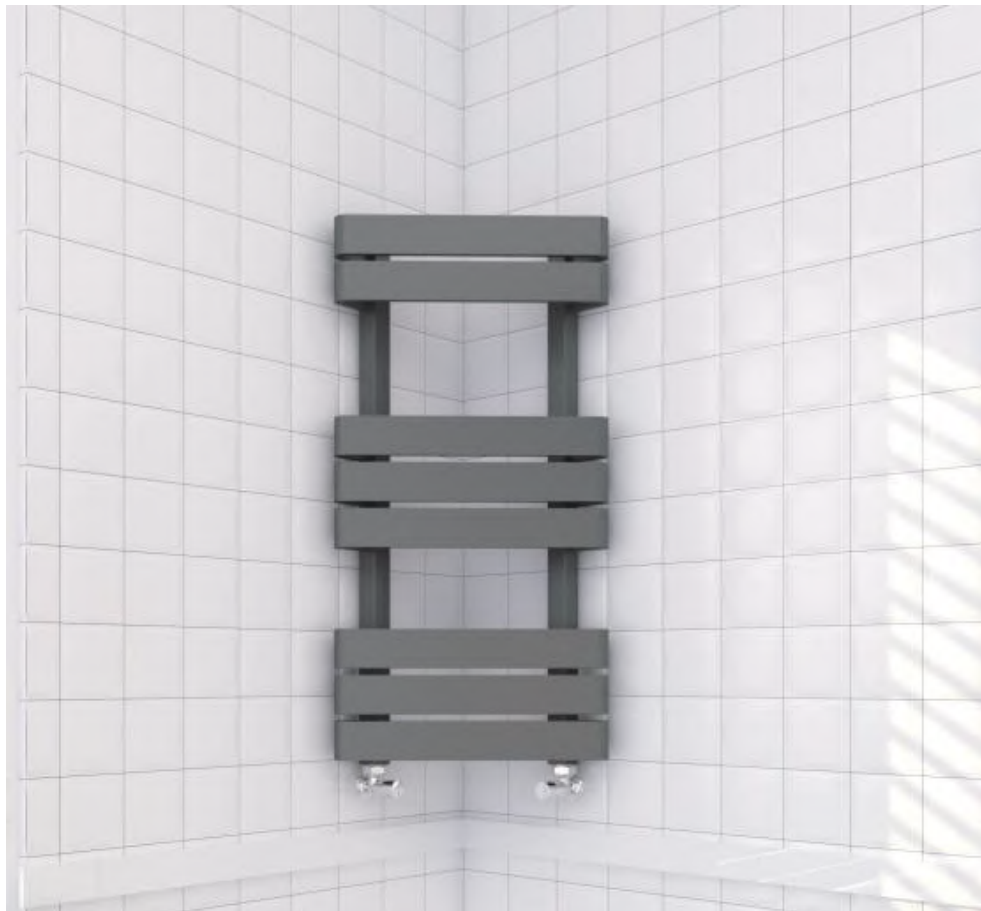
better 
bathrooms

Product Name

Kahli - Corner Towel Rail

Product code

KAHMB850 KAHMB1200



- **Single-person assembly**
- **Tools required**
- **We always recommend using professional tradespeople to install your product**

V1-.08.01.24

Congratulations on your purchase

And welcome to our growing gang of savvy shoppers

We're on a mission to bring you extraordinary bathroom products, for less. From modern to traditional style ceramics, plus the gorgeous fixtures, fittings and furniture to match. So, you can fall in love with your space every single day.

As one of the UK's largest independent bathroom stores, we've received countless awards; including the National Business Awards UK, the Digital Entrepreneur Awards and being placed on The Sunday Times Fast Track 100.

We hope your new product goes above and beyond your expectations. However, should any problems occur, please:

- log in to your account and contact our customer services team via your self-serve portal – betterbathrooms.com/Account/Login
- contact us via betterbathrooms.com/content/contact-us

Important information

- Please read these instructions thoroughly and retain for future reference
- Manufactured to BS EN 442-1 Radiators and convectors
- Please ensure that the product is checked for damage prior to installation, any damage reported after installation will not be covered.
- The pipework must be flushed out to remove any debris which can affect the function of this product.
- A corrosion inhibitor should be used in your installation.

BTU & Wattage info-

Product Code	BTU	Wattage
KAHMB850	1481	434
KAHMB1200	2000	586

Contents

- Component Listing
- Technical Drawing
- Tools Required
- Installation Notices
- Installation Instructions
- Maintenance, Care & Cleaning

Component Listing



Rawl Plug
x4



Screw
x4



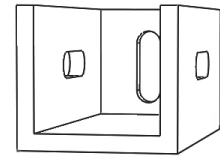
Long Screw
x4



Short Screw
x4



Bracket Body
x4



Wall Support
x4



Rubber O Ring
x2



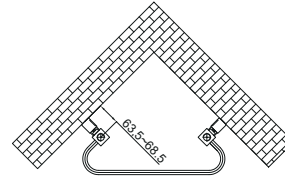
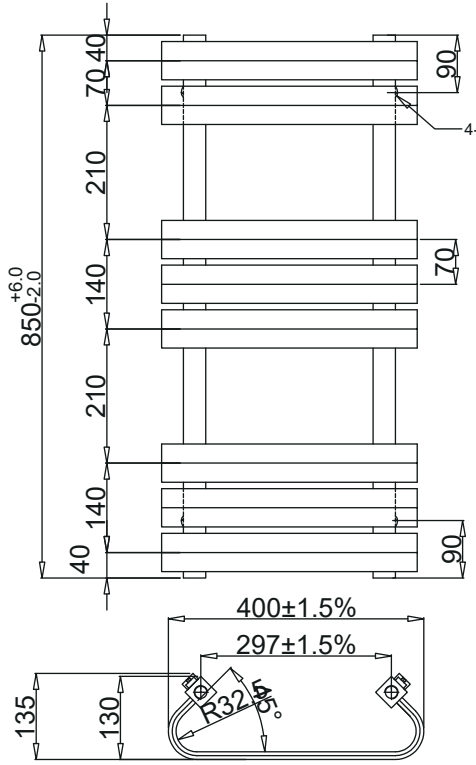
Air Vent
x1



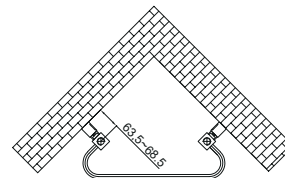
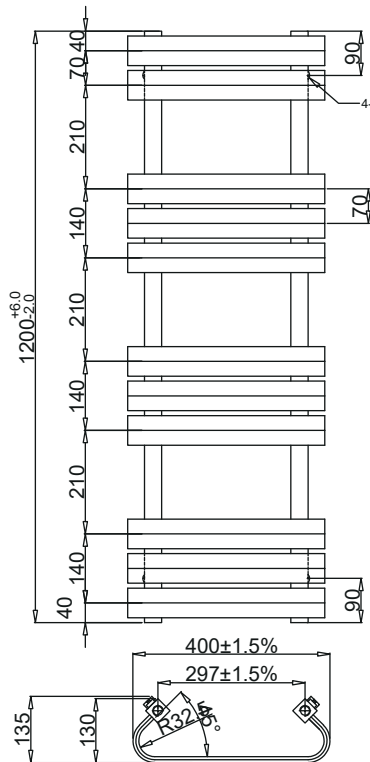
Blanking Plug
x1

Technical Drawing

KAHMB850



KAHMB1200



Tools Required

Safety Notice:

Prior to drilling into walls, check there are no hidden electrical wires, cables or water supply pipes. Always wear protective equipment such as safety glasses and hearing protection whilst using power tools.

Tools for installation (not supplied)

		
Electric drill	PTFE Tape	Spirit Level
		
Wrench	Screw driver	

Installation Notices

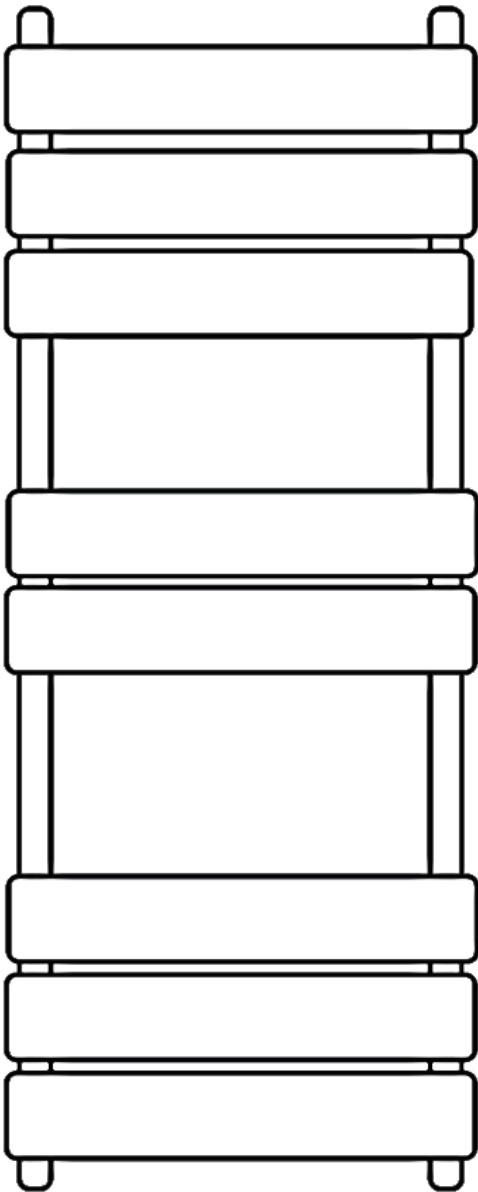
Before Installation, please read this guide carefully.

- A fully qualified and competent person should install this product.
- Observe all local plumbing and building codes.
- Shut off the main water supply.
- The radiator should only be filled with water at a temperature below 100 °C. If the temperature exceeds 48 °C, please install a warning sign near the product to avoid burning and scalding accidents.
- Select the desired location for the radiator ensuring the chosen wall is both strong enough and suitable to carry the weight of the radiator when full of water.
- When cleaning, never use abrasive cleaners on this product as they will damage the surface. Wipe the surface clean with a soft, damp cloth.

Installation Instructions

Step 1

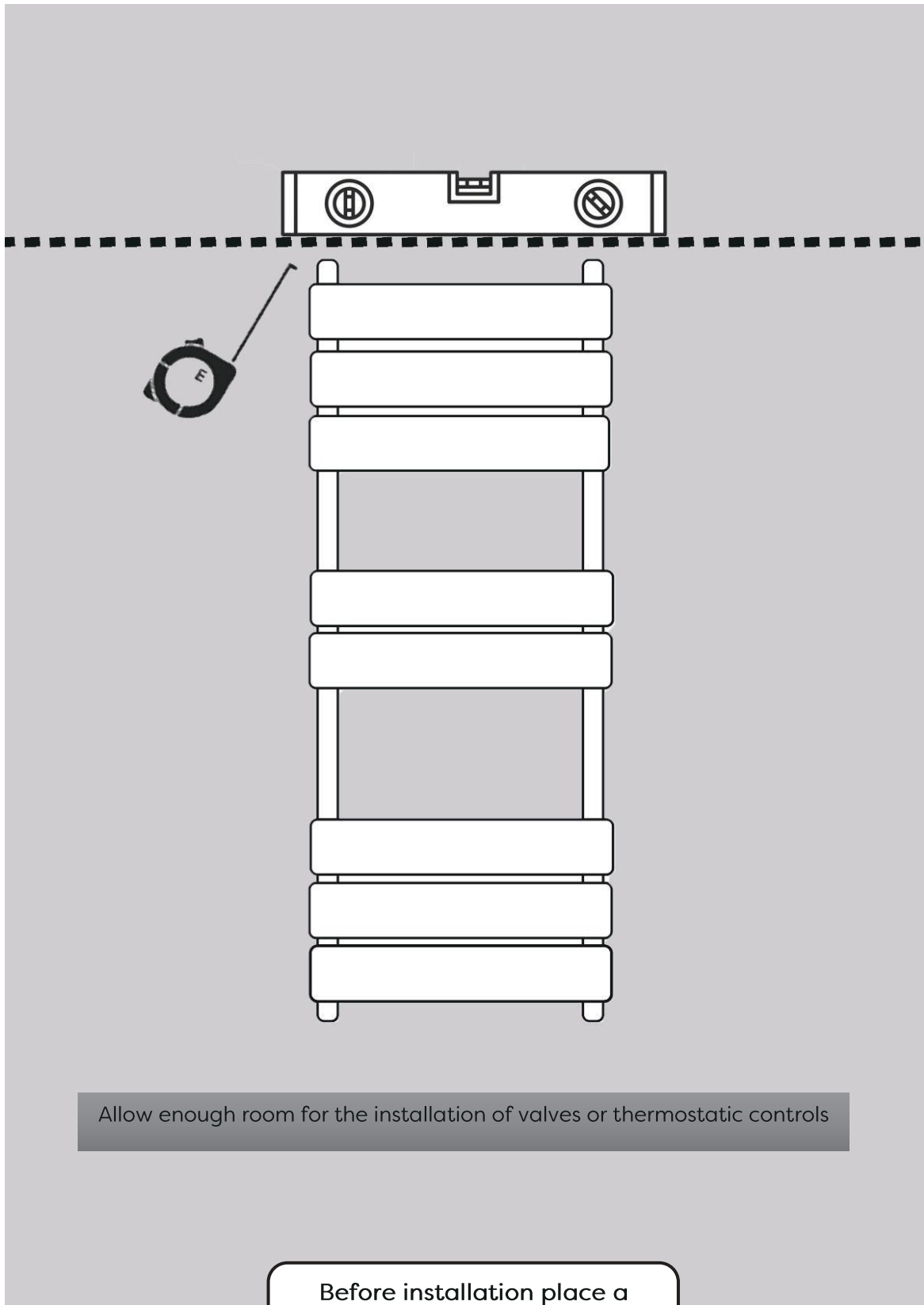
Connect the 4 long screws & bracket bodies to the towel radiator as below image.



Step 2

Position the towel rail in desired location. Check for level and mark the screw hole positions to be drilled for the brackets.

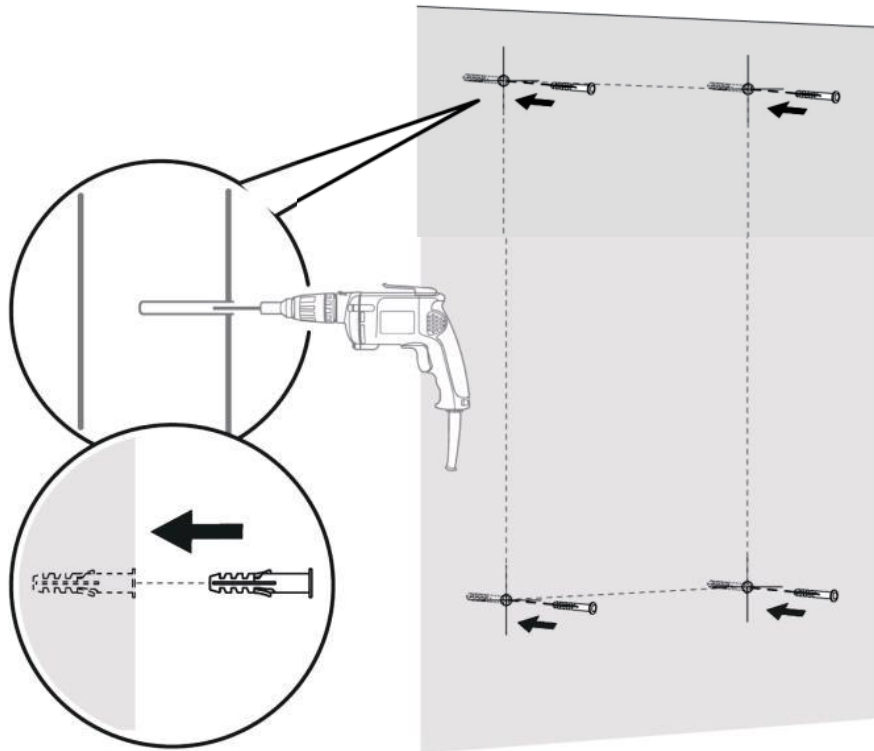
Make sure the towel rail is installed vertically.



Before installation place a dust sheet on the floor to prevent losing any small parts.

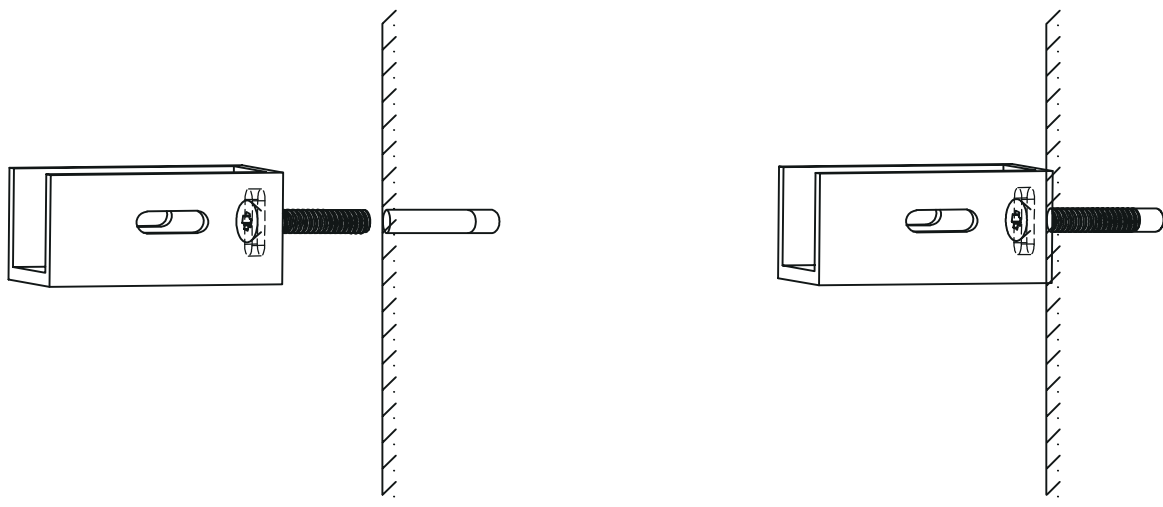
Step 3

Using the correct sized masonry drill bit drill holes and insert wall plugs. For false or studded you may require different fixings which can be purchased from your local DIY store.



Step 4

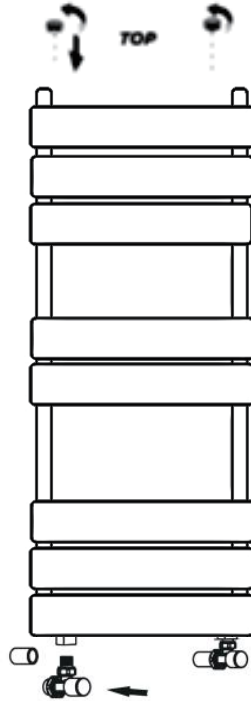
Fix all the wall supports to the wall as below image by using a screwdriver.



Step 5

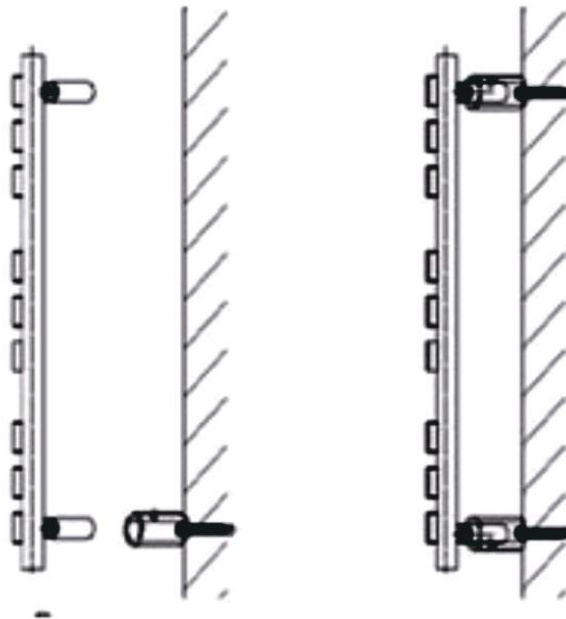
Wrap PTFE tape around the blanking plug and vent plug threads then proceed to insert into the top of the radiator tightening with a spanner.

Repeat the procedure and install the radiator valves in the bottom tapping's.



Step 6

Slide the brackets into the wall supports and tighten all the screws when in the desired location. Be sure to check for level at all stages.



Marks: The product also can be converted to electric heating. The rail need to be filled with a water (80%) and glycol (20%) mixture if you want to convert central heating to electric one, also allow 5% as leaving room for expansion.

Product Code	Fill Volumes
KAHMB850	3.9L
KAHMB1200	5.5L

After installation

- After the above installation, turn on the water supply and using the flathead screwdriver, open the air vent via the central screw, open the inlet valve and let the water rush into the radiator. Check all connections for leaks.
- Once water overflows from the air vent, this means that there will be no air bubbles present.
- Use a screwdriver to close the air vent and then the radiator is ready to use.

Cleaning

This radiator is made from steel with a painted finish. To maintain the surface of your product (especially when subjected to steam or splashes), wipe with a clean damp cloth and wipe dry.

Do not use abrasive cleaning agents or materials which can strip and scratch the surface; the use of these agents or materials can invalidate your guarantee.

It is recommended to wipe and dry on a regular basis.

For more information

- visit betterbathrooms.com
- email customerservices@buyitdirect.co.uk
- call 0330 390 3062
- write to Trident Business Park, Neptune Way, Huddersfield, HD2 1UA

better 
bathrooms

Part of the BuyItDirect Group